

Infrared ceramic heating elements

Victory ceramic heating elements and lamps are used throughout the world in a variety of industries for processes that require a simple, economic, heat source. Emitting long wave infrared, these ceramic elements are ideal where the intense heat of short wave emitters is not required, or where heating without visible light is important.

They can also be fitted into wall mounted or portable heaters for both commercial and domestic use.

Victory offers three types of ceramic element — flat, curved and hollow — as well as a range of lamps with E27 caps.

Flat ceramic elements: These have a low overall height enabling use in space limited installations, typically in retrofit machines.

Curved ceramic elements: A concave design provides a space between the element and its mounting plate, reducing the heat absorbed by the wiring space. They are suitable for installation areas with geometric requirements.

Hollow HTS ceramic elements: These are made using a hollow casting process and filled with thermal insulation. This improves the radiant power output to the material being heated. In addition, a significant reduction of heat dissipation is achieved in the wiring space so additional insulation of the heating area is usually not required.

Ceramic lamps: These lamp-shaped, elements have a standard E27 cap so are very versatile. They are suitable for both individual and group configurations and have many general purpose heating applications. They are often used to provide warmth for reptiles, pets and other animal care requirements.



Applications

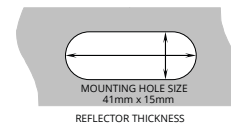
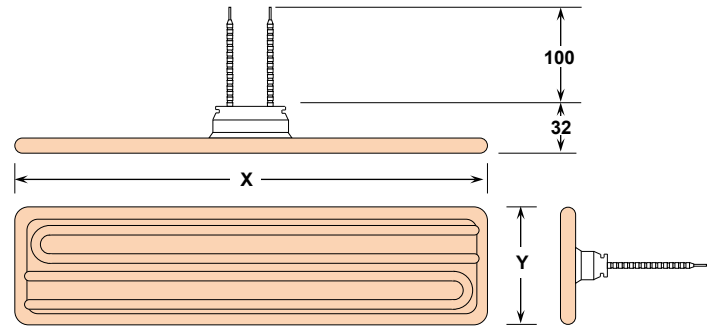




Technical Data

Ceramic heating elements

Flat ceramic elements



Rating (Watts)	50	125	150	200	250	300	350	400	500	650	750	1000
Mean Surface Temp.(°C)	175	235	235	300	340	370	400	420	450	520	555	600
Peak Wavelength (µm)	6.4	5.7	5.7	5.0	4.7	4.5	4.3	4.1	4.0	3.6	3.5	3.3

Operating temperature: Up to 750° Surface rating: Up to 64 kW/m²

Code	Watts	Volts	X	Y	Code	Watts	Volts	X	Y
------	-------	-------	---	---	------	-------	-------	---	---

SFE (Square Flat Element)				
SFE125W230V	125	230	122	122
SFE150W230V	150	230	122	122
SFE200W230V	200	230	122	122
SFE200W400V	200	400	122	122
SFE250W230V	250	230	122	122
SFE300W230V	300	230	122	122
SFE400W230V	400	230	122	122
SFE500W230V	500	230	122	122
SFE600W230V	600	230	122	122
SFE650W230V	650	230	122	122
SFE750W230V	750	230	122	122
SFE850W230V	850	230	122	122
SFE1000W230V	1000	230	122	122

QSF (Quarter Size Flat)				
QSF50W230V	50	230	60	60
QSF75W230V	75	230	60	60
QSF150W230V	150	230	60	60
QSF165W240V	165	240	60	60
QSF250W120V	250	120	60	60
QSF250W230V	250	230	60	60

FSF (Full Size Flat)				
FSF125W115V	125	115	245	60
FSF125W230V	125	230	245	60
FSF150W110V	150	110	245	60
FSF150W230V	150	230	245	60
FSF150W400V	150	400	245	60
FSF200W115V	200	115	245	60
FSF200W230V	200	230	245	60
FSF200W400V	200	400	245	60
FSF250W110V	250	110	245	60
FSF250W230V	250	230	245	60
FSF250W400V	250	400	245	60
FSF300W110V	300	110	245	60
FSF300W230V	300	230	245	60
FSF300W400V	300	400	245	60
FSF350W110V	350	110	245	60
FSF350W230V	350	230	245	60
FSF400W230V	400	230	245	60
FSF500W230V	500	230	245	60
FSF650W230V	650	230	245	60
FSF750W230V	750	230	245	60
FSF1000W230V	1000	230	245	60

HSF (Half Size Flat)				
HSF85W110V	85	110	122	60
HSF85W230V	85	230	122	60
HSF100W400V	100	400	122	60
HSF125W230V	125	230	122	60
HSF150W110V	150	110	122	60
HSF150W230V	150	230	122	60
HSF150W400V	150	400	122	60
HSF200W230V	200	230	122	60
HSF250W230V	250	230	122	60
HSF325W230V	325	230	122	60
HSF400W200V	400	200	122	60
HSF500W230V	500	230	122	60

Important

Power leads can be ceramic beaded leads or Vidaflex covered leads.

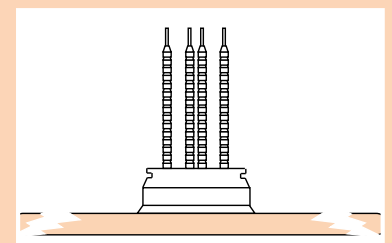


Vidaflex lead



Beaded lead

As an optional extra, the flat, curved & hollow ceramic elements can be supplied with an integrated K-Type thermocouple.



Optional K Type Thermocouple

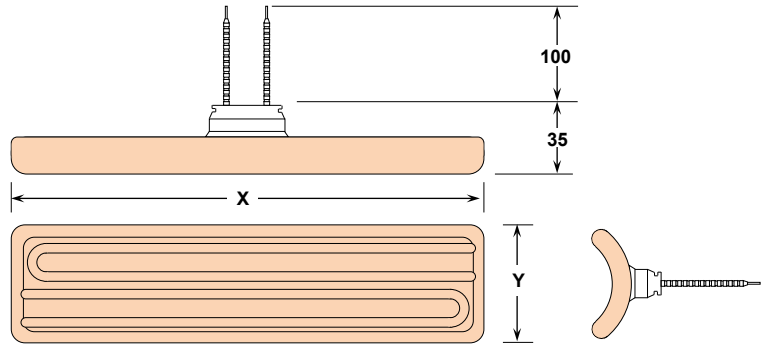
Please contact us to discuss your requirements and availability.



Technical Data

Ceramic heating elements

Curved ceramic elements

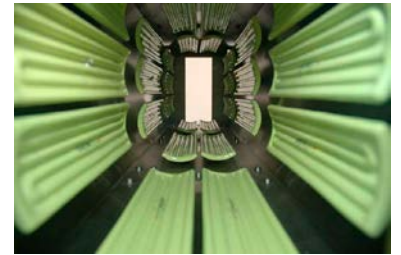


Rating (Watts)	125	150	200	250	325	375	400	500	1000
Mean Surface Temp.(°C)	340	370	420	450	520	540	570	600	600
Peak Wavelength (µm)	4.7	4.5	4.1	4.0	3.6	3.5	3.4	3.3	3.3

Operating temperature: Up to 750° Surface rating: Up to 64 kW/m²

Code	Watts	Volts	X	Y
HSC (Half Size Curved)				
HSC125W230V	125	230	122	60
HSC150W230V	150	230	122	60
HSC200W230V	200	230	122	60
HSC250W230V	250	230	122	60
HSC300W230V	300	230	122	60
HSC325W230V	325	230	122	60
HSC350W230V	350	230	122	60
HSC375W230V	375	230	122	60
HSC400W230V	400	230	122	60
HSC500W230V	500	230	122	60
LSC (Large Size Curved)				
LSC1500W230V	1500	230	250	95

Code	Watts	Volts	X	Y
FSC (Full Size Curved)				
FSC150W230V	150	230	245	60
FSC200W120V	200	120	245	60
FSC200W230V	200	230	245	60
FSC250W230V	250	230	245	60
FSC300W110V	300	110	245	60
FSC300W230V	300	230	245	60
FSC350W230V	350	230	245	60
FSC400W230V	400	230	245	60
FSC450W230V	450	230	245	60
FSC500W110V	500	110	245	60
FSC500W230V	500	230	245	60
FSC650W230V	650	230	245	60
FSC750W230V	750	230	245	60
FSC800W230V	800	230	245	60
FSC1000W230V	1000	230	245	60

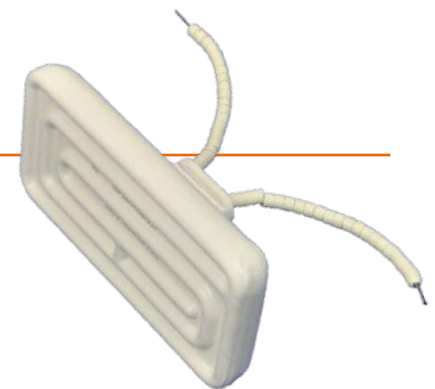
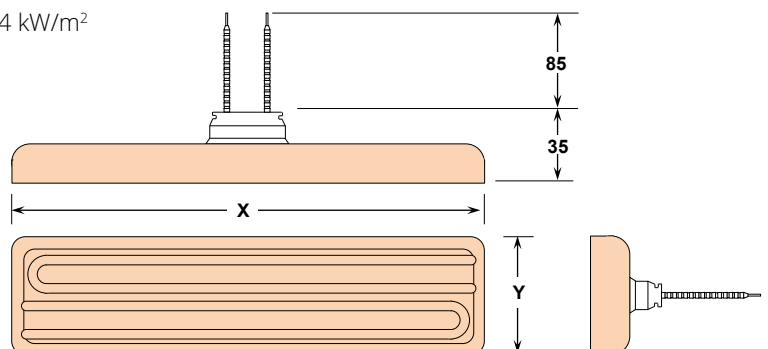


Hollow ceramic elements

Rating (Watts)	125	150	200	250	325	375	400	500	1000
Mean Surface Temp.(°C)	340	370	420	450	520	540	570	600	600
Peak Wavelength (µm)	4.7	4.5	4.1	4.0	3.6	3.5	3.4	3.3	3.3

Operating temperature: Up to 900° Surface rating: Up to 64 kW/m²

Code	Watts	Volts	X	Y
HTS/1 400W230V	400	230	245	60
HTS/1 600W230V	600	230	245	60
HTS/1 800W230V	800	230	245	60
HTS/1 1000W230V	1000	230	245	60
HTS/2 125W230V	125	230	122	60





Technical Data

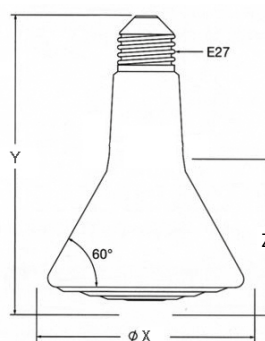
Ceramic heating elements

Ceramic lamps

SFL (E27 conical)

Code	Watts	Volts	X	Y	Z
SFL/1 60W230V	60	230	85	100	65
SFL/1 100W230V	100	230	85	100	65
SFL/1 150W230V	150	230	85	100	65
SFL/2 150W230V	150	230	100	140	75

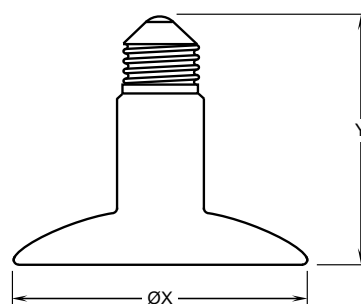
Rating (Watts)	60	100	150
Mean surface temp.(°C)	290	380	420
Wavelength range (µm)	3-10		



RSFL (E27 mushroom)

Code	Watts	Volts	X	Y
RSFL60W230V	60	230	75	105
RSFL75W230V	75	230	75	105
RSFL100W230V	100	230	90	110
RSFL150W230V	150	230	90	110
RSFL250W230V	250	230		

Rating (Watts)	60	75	100	150	250
Mean surface temp.(°C)	200	235	275	230	300
Peak wavelength (µm)	6.1	5.7	5.3	5.7	5.0



RUBISOLIS
Mikroklimato sprendimai

Vilniaus salonas
Paplaujos g. 3A, LT-11342
+370 5 27 96 191

Kauno salonas
Technikos g. 7, LT-51209
+370 37 263 488